

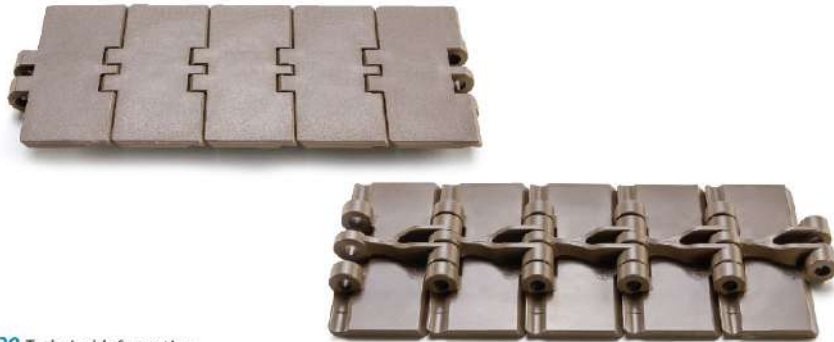


## Modutech Plastic Chains

Chain Brochure

## MD 820 Chain Series

Straight Running-Single Hinge Chains



### MD 820 Technical Information

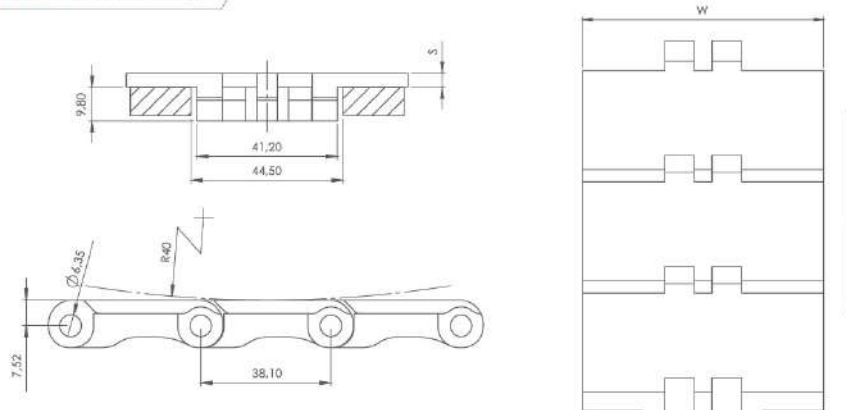
MD 820 SERIES STRAIGHT RUNNING - SINGLE HINGE CHAINS						
PRODUCT CODE	WIDTH (W)		PLATE THICKNESS (S)	TENSILE STRENGTH		WEIGHT
	mm	inch		Kg/m	N/m	
MD 820-K325-LF	82,5	3,25	4	140	1400	0,84
MD 820-K400-LF	101,6	4,00	4	140	1400	0,95
MD 820-K450-LF	114,3	4,50	4	140	1400	1,05
MD 820-K600-LF	152,4	6,00	4,8	140	1400	1,30
MD 820-K750-LF	190,5	7,50	4,8	140	1400	1,55

\* Self-lubricating low friction acetal resin, brown-coloured.

\* Pins in special chrome-nickel 304- stainless steel

\* Standard packing lengths = 80 pitches = 3,048 m

### MD 820 Technical Drawings



www.modutech.com.tr

## MD 821 Chain Series

Straight Running-Double Hinge Chains



### MD 821 Technical Information

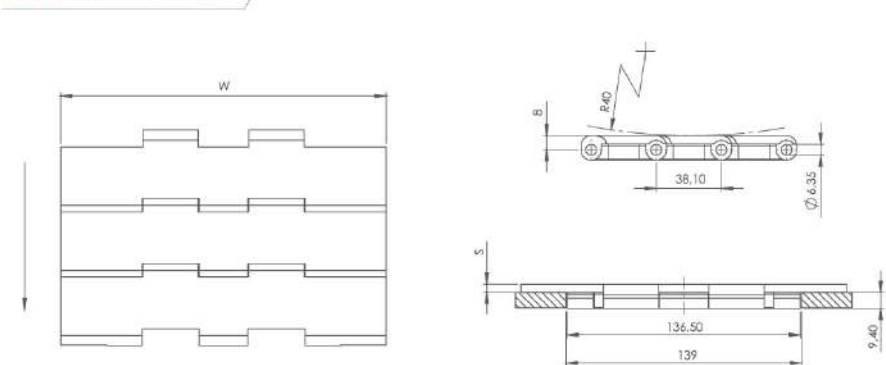
MD 821 SERIES STRAIGHT RUNNING - DOUBLE HINGE CHAINS						
PRODUCT CODE	WIDTH (W)		PLATE THICKNESS (S)	TENSILE STRENGTH		WEIGHT
	mm	inch		Kg/m	N/m	
MD 821-K750-LF	190,5	7,50	4,8	270	2700	2,70
MD 821-K1000-LF	254,0	10,00	4,8	270	2700	3,10
MD 821-K1200-LF	304,8	12,00	4,8	270	2700	3,40

\* Self-lubricating low friction acetal resin, brown-coloured.

\* Pins in special chrome-nickel 304- stainless steel

\* Standard packing lengths = 80 pitches = 3,048 m

### MD 821 Technical Drawings



www.modutech.com.tr

## MD 880-879 Chain Series

Standart Radius Sideflexing Chains

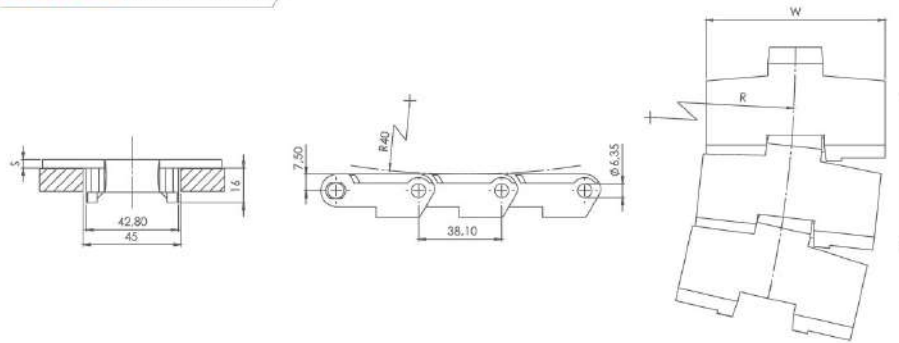


### MD 880-879 Technical Information

MD 880-879 SERIES STANDARD RADIUS SIDEFLEXING CHAINS							
PRODUCT CODE	WIDTH (W)		PLATE THICKNESS (S)	RADIUS (R)	TENSILE STRENGTH		WEIGHT
	mm	inch			Kg/m	N/m	
MD 880-K325-LF	82,5	3,25	4	400	200	2000	0,90
MD 880-K400-LF	101,6	4,00	4	400	200	2000	1,00
MD 880-K450-LF	114,3	4,50	4	400	200	2000	1,10
MD 879-K600-LF	152,4	6,00	4,8	400	220	2200	1,30
MD 879-K750-LF	190,5	7,50	4,8	400	220	2200	1,50

- \* Self-lubricating low friction acetal resin, brown-coloured.
- \* Pins in special chrome-nickel 304 stainless steel
- \* Standard packing lengths = 80 pitches = 3,048 m

### MD 880-879 Technical Drawings



www.modutech.com.tr

## MD 880-879 TAB Chain Series

Standart Radius Sideflexing Chains

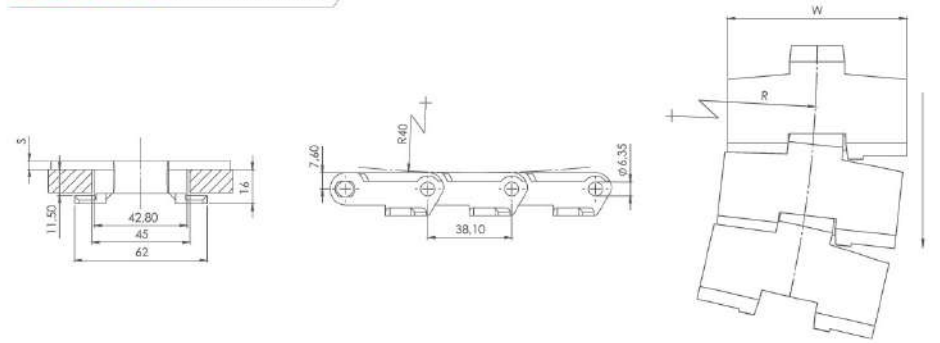


### MD 880-879 TAB Technical Information

MD 880-879 TAB SERIES STANDARD RADIUS SIDEFLEXING CHAINS							
PRODUCT CODE	WIDTH (W)		PLATE THICKNESS (S)	RADIUS (R)	TENSILE STRENGTH		WEIGHT
	mm	inch			Kg/m	N/m	
MD 880 TAB-K325-LF	82,5	3,25	4	400	200	2000	0,95
MD 880 TAB-K400-LF	101,6	4,00	4	400	200	2000	1,05
MD 880 TAB-K450-LF	114,3	4,50	4	400	200	2000	1,15
MD 879 TAB-K600-LF	152,4	6,00	4,8	400	220	2200	1,35
MD 879 TAB-K750-LF	190,5	7,50	4,8	400	220	2200	1,55

- \* Self-lubricating low friction acetal resin, brown-coloured.
- \* Pins in special chrome-nickel 304 stainless steel
- \* Standard packing lengths = 80 pitches = 3,048 m

### MD 880-879 TAB Technical Drawings



www.modutech.com.tr



Wide range of high quality  
Modutech chains for the most  
challenging applications.



## MD 1701 R / MD 1701 TAB R Chain Series

Multiflex Chains

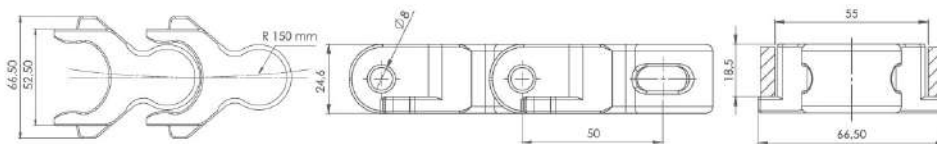


### MD 1701 R / MD 1701 TAB R Technical Information

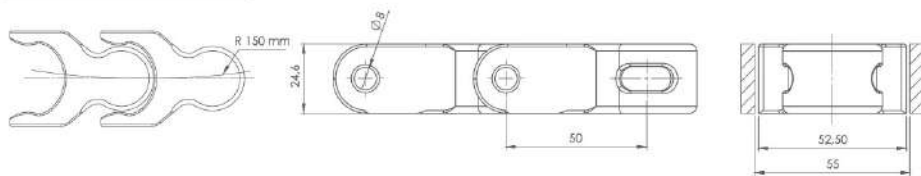
MULTIFLEX CHAINS						
PRODUCT CODE	PITCH	WIDTH (W)		RADIUS (R)	TENSILE STRENGTH	WEIGHT
		mm	inch			
MD 1701 R	50	52,5	2,05	150	255	1,58
MD 1701 TAB R	50	52,5	2,05	150	255	1,65

- \* Self-lubricating low friction acetal resin, white-coloured.
- \* Pins in special chrome-nickel 304 stainless steel
- \* Standard packing lengths = 122 pitches = 6,10 m

### MD 1701 TAB R Technical Drawings



### MD 1701 R Technical Drawings



www.modutech.com.tr

## MD 600 S / MD 600 TAB S Chain Series

Plastic Case Conveyor Chains

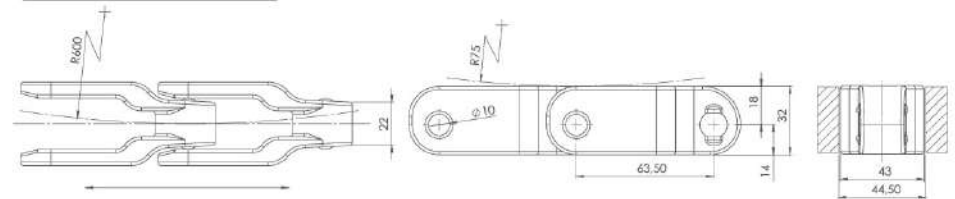


### MD 600 S / MD 600 TAB S Technical Information

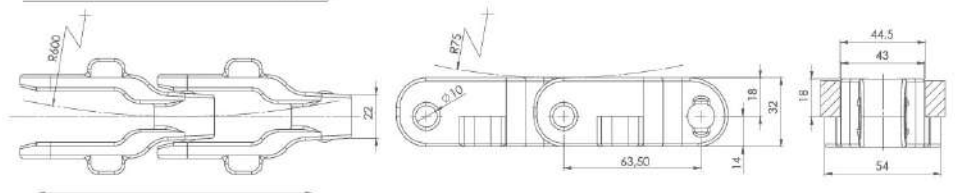
PLASTIC CASE CONVEYOR CHAINS					
PRODUCT CODE	PITCH	WIDTH (W)		TENSILE STRENGTH	WEIGHT
		mm	inch		
MD 600 S	63,5	43	1,70	400	1,55
MD 600 TAB S	63,5	43	1,70	400	1,65

- \* Self-lubricating low friction acetal resin, white-coloured.
- \* Pins in special chrome-nickel 304 stainless steel
- \* Standard packing lengths = 96 pitches = 6,096 m

### MD 600 S Technical Drawings



### MD 600 TAB S Technical Drawings



www.modutech.com.tr



## Flexi Chain Series



### Flexi Chain Series Technical Information

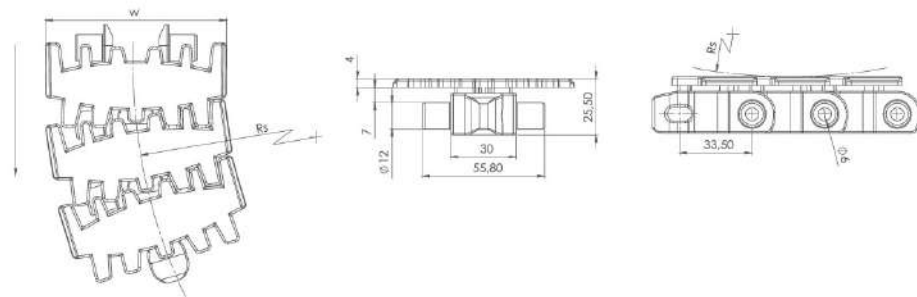
FLEXI CHAIN SERIES							
PRODUCT CODE	WIDTH ( W )		PLATE THICKNESS	SIDEFLEX RADIUS ( RS )	TENSILE STRENGTH		WEIGHT
	mm	inch			Kg/m	N/m	
FLEXI-K325 -LF	82,5	3,25	4	140	110	1100	1,25
FLEXI-K450 -LF	114,3	4,50	4	160	110	1100	1,55

\* Self-lubricating low friction acetal resin, white-coloured.

\* Pins in special chrome-nickel 304 stainless steel

\* Standard packing lengths = 91 pitches = 3,048 m

### Flexi Chain Series Technical Drawings

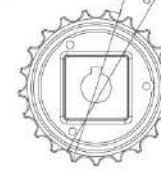


www.modutech.com.tr

## Sprockets

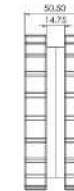


### MD 820 Sprockets Technical Drawings



Classic Sprocket Series MD820				
Product Code	Number of Teeth	Do (mm)	Di (mm)	Round Bore (Ø)
MD 820	21	128	114	25 30
MD 820	25	152	138	25 30

\* Special sprockets and hub size are being manufactured on your request.



### MD 880 Sprockets Technical Drawings

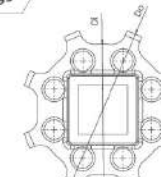


Classic Sprocket Series MD880				
Product Code	Number of Teeth	Do (mm)	Di (mm)	Round Bore (Ø)
MD 880	9	111	97	25 30
MD 880	11	135	121	25 30

\* Special sprockets and hub size are being manufactured on your request.



### MD 1701 R Sprockets Technical Drawings

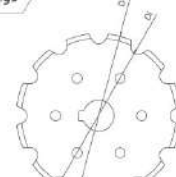


Classic Sprockets Series MD1701					
Product Code	Number of Teeth	Do (mm)	Di (mm)	Round Bore (Ø)	Square Bore
MD 1701 R	8	132	107	25 30	40 x 40
MD 1701 R	10	166	107	25 30	40 x 40

\* Special sprockets and hub size are being manufactured on your request.



### Flexi Chains Sprocket Technical Drawings

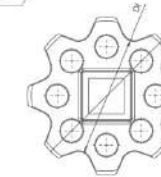


Classic Sprockets Series Flexi Chains				
Product Code	Number of Teeth	Do (mm)	Di (mm)	Square Bore
FLEXI CHAIN	12	133	115	25 30 40 x 40

\* Special sprockets and hub size are being manufactured on your request.



### MD 600 S Sprockets Technical Drawings



Classic Sprockets Series MD600					
Product Code	Number of Teeth	Do (mm)	Di (mm)	Round Bore (Ø)	Square Bore
MD 600	8	177	138	25 30	40 x 40
MD 600	10	221	176	25 30	40 x 40

\* Special sprockets and hub size are being manufactured on your request.



www.modutech.com.tr